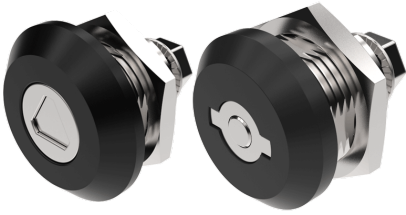


## QUARTER-TURN CLASSIC 18 MM



This vibration-resistant quarter-turn latch has a spring-loaded bracket that prevents the locked cam from moving. When you use a double-bit insert to open the latch, the insert connects to the latch and works as a handle to operate the door.

In the table below you will find options regarding inserts and door rotation.



### MATERIAL

**Cam:** Steel, zinc plated

**Housing:** Zinc die cast with black PA6 collar

**Insert:** Zinc die cast, chrome plated

**Nut:** Zinc die cast, zinc plated

**Screw:** Steel, zinc plated

**Spring:** Steel, zinc plated

**Stop bracket:** Zinc die cast, nickel plated

### RELATED PRODUCTS

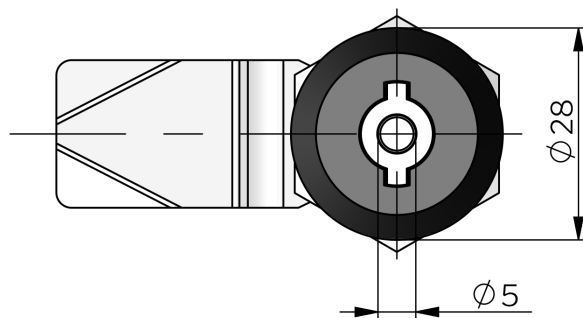
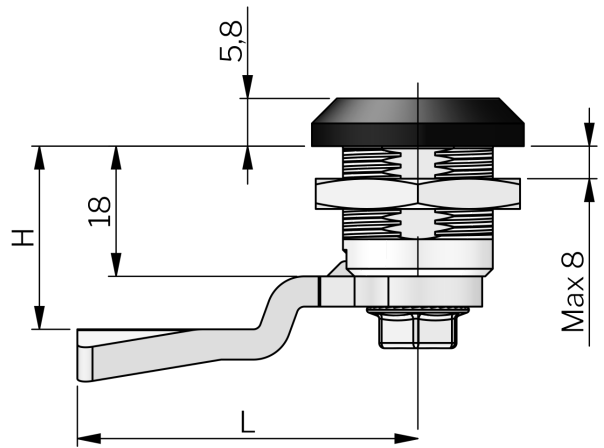
**Keys:** 2-372, 2-370

**Cams:** 2-480, 2-481

Use the Index Code at [industrilas.com](http://industrilas.com)

### TECHNICAL INFORMATION

**Cutout:** COMBI



**Industrilas**  
— When access counts —

**Make your selections in each column to create your article number (AAAAAA-A-HHLL)**

AAAAAA-A	Insert	Cam rotation	HHLL	H/L in mm
271161-H	Double Bit 3	Right hinged door	0000	No cam
271161-V	Double Bit 3	Left hinged door	0445	4 / 45
271162-H	Double Bit 5	Right hinged door	0645	6 / 45
271162-V	Double Bit 5	Left hinged door	0845	8 / 45
271563-13	Triangle 8	Left or right hinged door	1045	10 / 45
			1245	12 / 45
			1445	14 / 45
			1645	16 / 45
			1845	18 / 45
			2045	20 / 45
			2245	22 / 45
			2445	24 / 45
			2645	26 / 45
			2845	28 / 45
			3045	30 / 45
			3245	32 / 45
			3445	34 / 45
			3645	36 / 45
			3845	38 / 45
			4045	40 / 45
			4245	42 / 45
			4445	44 / 45
			4645	46 / 45
			4845	48 / 45
			5045	50 / 45

Latch is supplied with screw with mechanical thread lock.

For latches with insert Double Bit 3 or Double Bit 5 - please use cams with projection (Index Code 2-480).

For latch with insert Triangle 8 - please use use cams without projection (Index Code 2-481).

